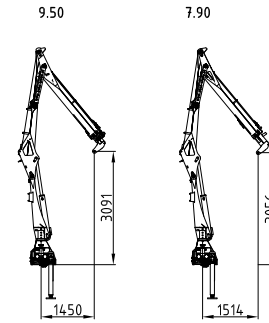
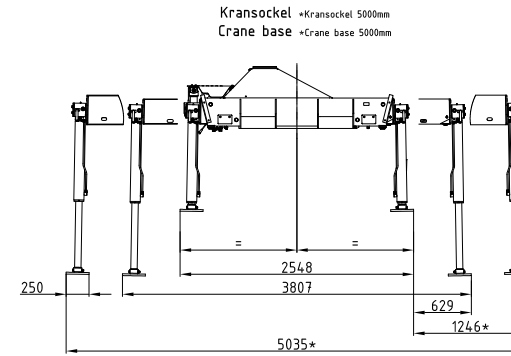
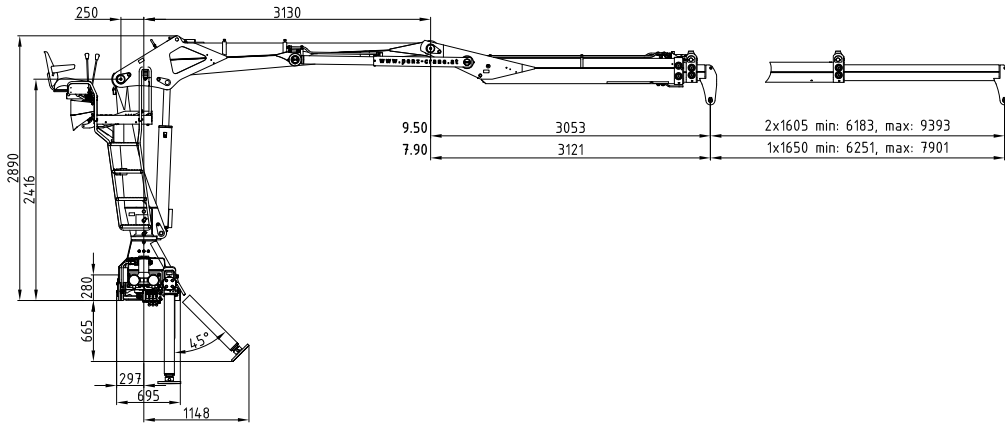
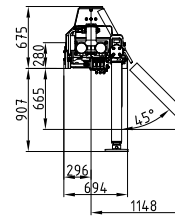


10ZR 11Zp+R

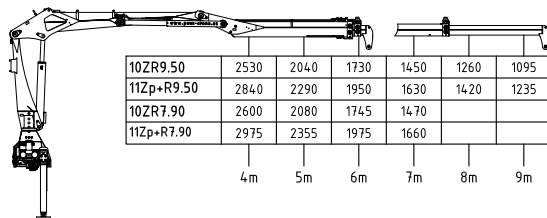
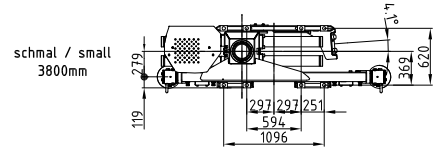
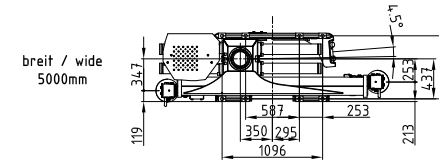
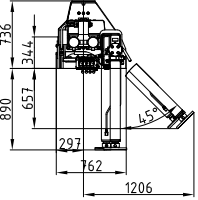
102 - 114 kNm	7,9 - 9,5 m	3,05 - 3,09 m	3,8 - 5 m	1.990 - 2.090 kg	420°	25 kNm	240 bar	1x Minimum 100 l/min ~ 45 kW	2x Minimum 75 l/min ~ 79 kW	LS Minimum 160 l/min ~ 71 kW



Kransockel +Kransockel 5000mm
Crane base +Crane base 5000mm

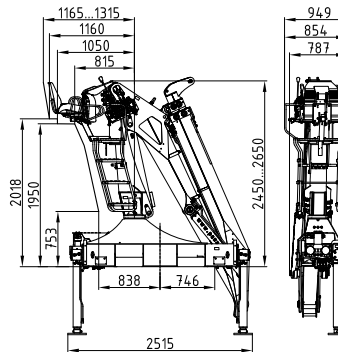


Kransockel 3800mm
Crane base 3800mm

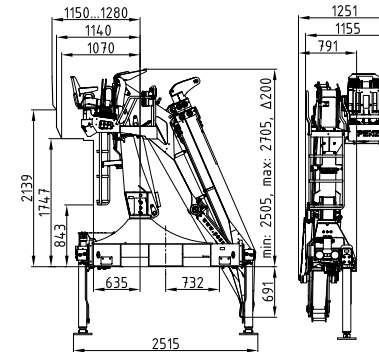


	4m	5m	6m	7m	8m	9m	
10ZR9.50	2530	2040	1730	1450	1260	1095	[kg]
11Zp+R9.50	2840	2290	1950	1630	1420	1235	[kg]
10ZR7.90	2600	2080	1745	1470			[kg]
11Zp+R7.90	2975	2355	1975	1660			[kg]

Rücksitz 01
Back seat 01



Seifensitz 04 rechts & links
Side seat 04 right & left



Rücksitz 04
Back seat 04

