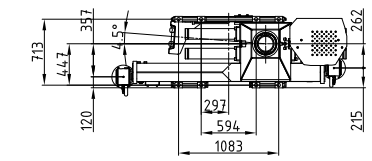
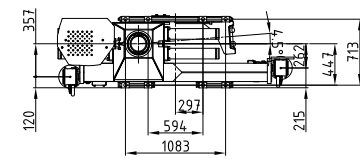
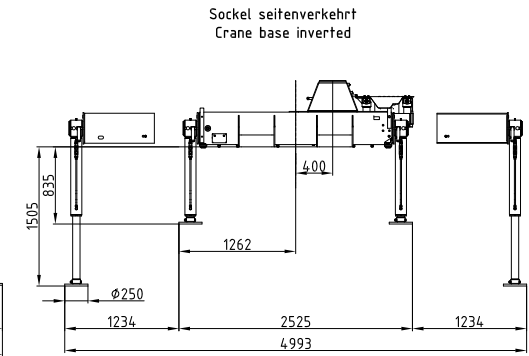
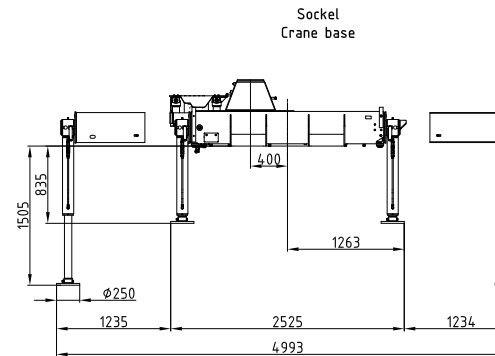
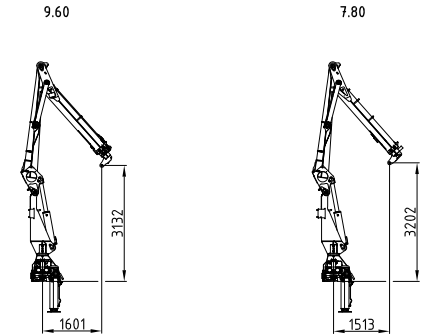
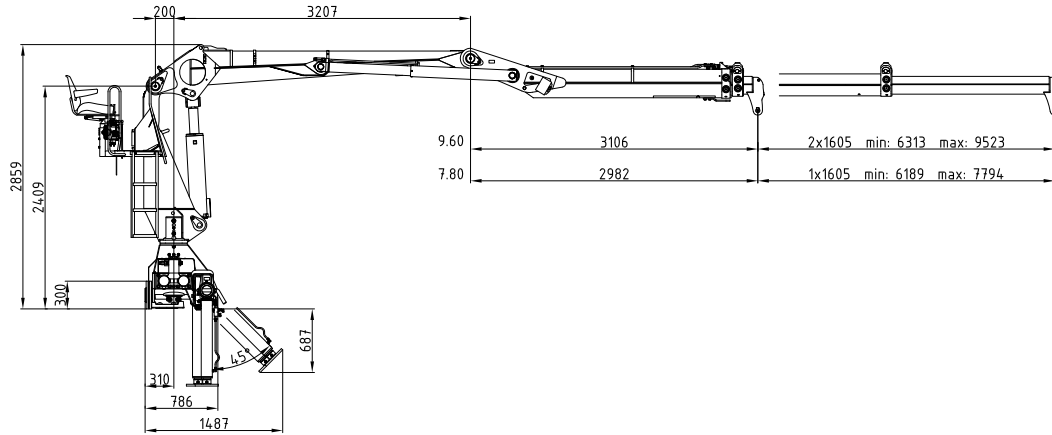


17Z 20Zp+

155 - 187 kNm	7,8 - 9,5 m	3,13 - 3,20 m	5 m	2.750 - 2.920 kg	405°	32,5 kNm	255 - 300 bar	1x Minimum 100 l/min ~ 50 kW	2x Minimum 75 l/min ~ 70 kW	LS Minimum 180 l/min ~ 90 kW



	4m	5m	6m	7m	8m	9m	
17Z9.60	3880	3140	2640	2240	1950	1710	[kg]
20Zp+9.60	4560	3690	3100	2630	2290	2000	[kg]
17Z7.80	3990	3220	2700	2300			[kg]
20Zp+7.80	4690	3780	3170	2700			[kg]

